

TDB Series Breathers

The TDB series is equipped to function in almost any environment with many connection options. It is fully serviceable, provides high dirt holding capacity, and includes a durable glass-filled nylon standpipe with built in oil mist reducer to prevent oil from reaching the desiccant.



ORDERING CODES:

| TDB | | BOX 1 | | BOX 2 | | BOX 3 | | BOX 4 | | | |
|--------------|-------------|----------------------|-------------|----------------------|----------------------|---------------------|-------------------------------|------------|-------------------------------|--|--|
| Size [Box 1] | | Drying Agent [Box 2] | | Check Valves [Box 3] | | Connections [Box 4] | | | | | |
| Code | Description | Code | Description | Code | Description | 93 & 96 Series | | 121 Series | | | |
| | | | | | | Code | Description | Code | Description | | |
| 93 | 320 cc | R | ZR Gel | V | With Check Valves | 34B | ¾" BSPP male | 1B | 1" BSPP male | | |
| 96 | 600 cc | | | - | Without Check Valves | 1B | 1" BSPP male | 1N | 1" NPT male | | |
| 121 | 1040 cc | | | | | 1N | 1" NPT male | 114B | 1 ¼" BSPP male | | |
| | | | | | | DIN6 | DIN 24557/2 6-hole pattern | DIN6 | DIN 24557/2 6-hole pattern | | |

MATERIALS & COMPONENTS:

- **Filter Media:** Glass Fiber
- **Hydrophilic Media:** ZR Gel
- **Check Valves:** Silicone
- **All other Components:** Copolyester, Buna-N, Stainless steel, Nylon 6/6, 30% Glass Filled

CHEMICAL COMPATIBILITY:

Compatible with all mineral oils, most synthetic oils and diesel fuels (Contact Des-Case technical support for chemical compatibility inquiries)

PERFORMANCE SPECIFICATIONS:

| Product Size | 93 | 96 | 121 |
|--|--------------------------------------|---------------------|---------------------|
| Temperature Range | -40°F to 194°F (-40°C to 90°C) | | |
| Filter Efficiency | 3 µm absolute (β ₃ ≥ 200) | | |
| Adsorption Material | ZR Gel 3-6 mm | | |
| ZR Gel Volume | 320 cc | 600 cc | 1040 cc |
| Amount of Desiccant | .6 lbs (250 g) | 1 lbs (460 g) | 1.8 lbs (800 g) |
| Water Adsorption Capacity (Maximum Water Retention) | 3 fl. oz (94 ml) | 5.5 fl. oz (172 ml) | 10 fl. oz (300 ml) |
| Color Indication | Red to Yellow | | |
| Check Valve Cracking Pressure (For order codes ending in "V") | .05 psi (.003 bar) | | |
| ²Application Sizing Recommendations | | | |
| Max. Airflow without Check Valves | 25 cfm (700 l/min) | 25 cfm (700 l/min) | 53 cfm (1500 l/min) |
| Max. Airflow with Check Valves | 11 cfm (300 l/min) | 11 cfm (300 l/min) | 14 cfm (400 l/min) |

¹NOTE: Small variations in the manufacturing process can be common and will be within the allowable engineering tolerances. All above data is nominal and provided for information only and subject to change. All metric conversions are approximate.

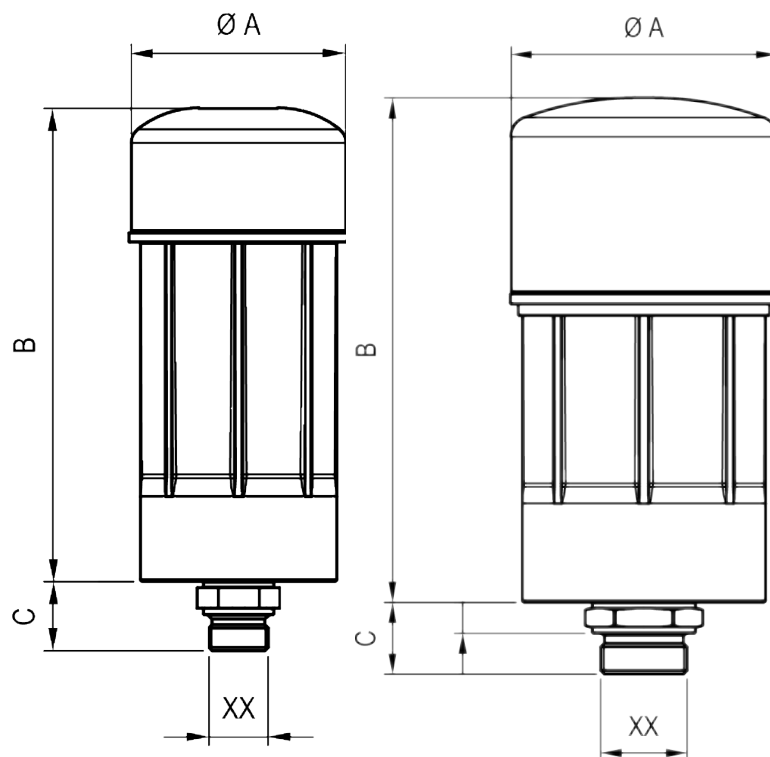
²NOTE: This is intended as a general guideline for sizing only; other considerations, such as: humidity level, frequency of air flow, ambient temperatures, and chemical compatibility are very important in sizing a breather properly. Larger applications and special circumstances typically require the most thorough analysis. Please contact Des-Case for assistance in sizing a breather.

DIMENSIONS:

| 93 Series in inch / mm | | | |
|-------------------------------|----------|---------|----------|
| XX | A | B | C |
| ¾" BSPP | 3.9 / 98 | 6 / 152 | 1.3 / 33 |
| 1" BSPP | | | 1.3 / 33 |
| 1" NPT | | | 1.5 / 39 |
| DIN 24557/2 6-hole pattern | | | 2.8 / 70 |

| 96 Series in inch / mm | | | |
|-------------------------------|----------|-----------|----------|
| XX | A | B | C |
| ¾" BSPP | 3.9 / 98 | 8.3 / 212 | 1.3 / 33 |
| 1" BSPP | | | 1.3 / 33 |
| 1" NPT | | | 1.5 / 39 |
| DIN 24557/2 6-hole pattern | | | 2.8 / 70 |

| 121 Series in inch / mm | | | |
|-------------------------------|-----------|-----------|----------|
| XX | A | B | C |
| 1 ¼" BSPP | 5.1 / 130 | 9.6 / 245 | 1.4 / 35 |
| 1" BSPP | | | 1.3 / 32 |
| 1" NPT | | | 1.5 / 37 |
| DIN 24557/2 6-hole pattern | | | 2.8 / 70 |



SPARE PARTS:

| Product Spare Parts | 93 Series | 96 Series | 121 Series |
|---------------------|------------------|------------------|-------------------|
| Air Filter | KL90 (9331034) | | KL120 (9317903) |
| ZR Gel Refill | RF-300 (9331156) | RF-600 (9331155) | RF-1000 (9331157) |
| Spare Kit* | RK-93 (9318115) | RK-96 (9318116) | RK-121 (9318117) |

*The spare kit contains 1x air filter, 1 ZR Gel refill, 2x foam filters, 1x bottom seal stickers, 1x adapter plug.