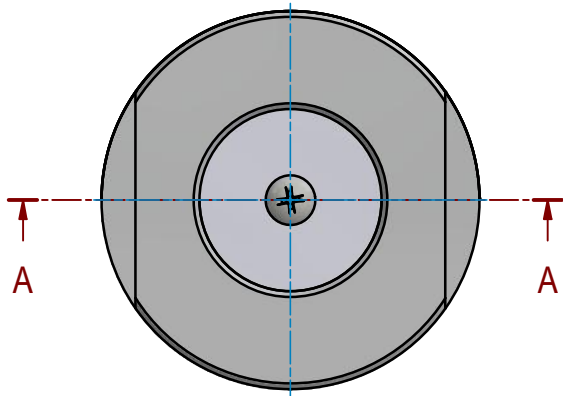
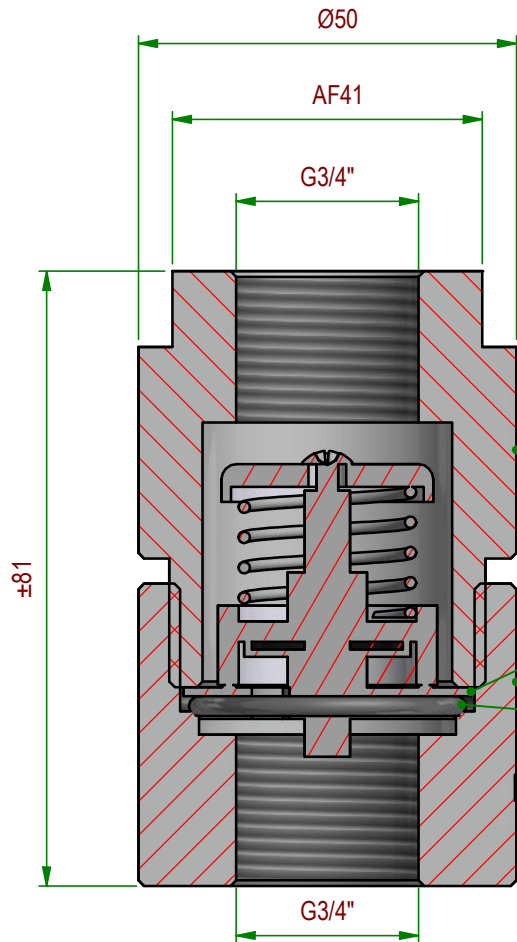


DEZE TEKENING IS EIGENDOM VAN RMF SYSTEMS BV, NEDERLAND. VERMENIGVULDING OF MEDEDELING AAN DERDEN, IN WELKE VORM OOK, IS ZONDER SCHRIFTELIJKE TOESTEMMING NIET GEORLOFD. THIS DRAWING IS THE PROPERTY OF RMF SYSTEMS BV, THE NETHERLANDS. REPRODUCTION OR DISCLOSURE TO THIRD PARTIES, IN ANY FORM WHATSOEVER, IS NOT ALLOWED WITHOUT WRITTEN CONSENT OF THE PROPRIETORS.

SURFACE ROUGHNESS ACCORDING TO NEN3634
 FORM AND PLACE TOLERANTIES ACCORDING TO NEN3310 AND 3311

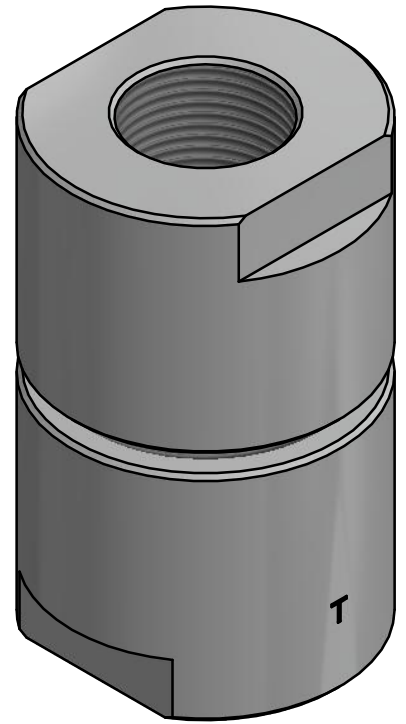


Section : A - A

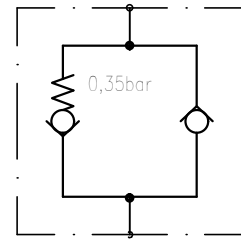


A=DESSICANT BREATHER

T= TANK

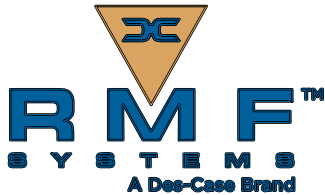


Hydraulic Diagram



NOTE:
USE THREADLOCKER
LOCTITE 243

POS	QTY	DESCRIPTION	TYPE	ARTICLE NR	REMARK
4	1	O-RING	31,42x2,62 NBR70	9502500	
3	1	PRE LOAD CHECK VALVE	0,35BAR	9246066	
2	1	KL98 ADAPTER UPPER BODY	294-12282 / ALUMINIUM 50MM	9246162	
1	1	KL98 ADAPTER LOWER BODY	294-12283 / ALUMINIUM 50MM	9246163	



A	13-07-2021	O-RING	M. Wongsoredjo
Rev	Date	Description	Name

DESIGNED BY	M. Wongsoredjo	DOCUMENT TITLE		SHEET	
DESIGNED DATE	18-09-2015	KL98 RMF PRESSURISED TANK ADAPTER		1 / 1	
DESIGNED STATE	Released	0,35BAR CHECK VALVE / FOR 93 AND 96 SERIES			
CHECKED BY	I. de Groot	ARTICLE NUMBER	DRAWING NUMBER	REVISION	FORMAT
CHECKED DATE	13-07-2021	9246161	294-12284	A	A4
PROJECTION	SCALE : 1:1	MATERIAL: /		DIMENSIONAL TOLERANCE ACCORDING TO ISO 2768M	
	UNITS : mm				